

**DATA SHEET**

# SMV1405 to SMV1413 Series: Hermetic Ceramic Packaged Silicon Abrupt Junction Varactors

## Applications

- VCO applications up to 18 GHz
- Voltage tuned filters
- Voltage variable phase shifters

## Features

- High Q
- Low series resistance for low phase noise
- Multiple hermetic packages
- Packages rated MSL1, 260 °C per JEDEC J-STD-020







## Description

The SMV1405 to SMV1413 group of silicon abrupt junction varactor diodes is designed for use in Voltage Controlled Oscillators (VCOs) requiring tight capacitance tolerances. The low resistance of these varactors makes them appropriate for high-Q resonators in wireless system VCOs to frequencies up to 18 GHz. This family of varactors is characterized for capacitance over temperature.

Table 1 lists the various packages and part numbers of the SMV1405-SMV1413 group of varactors.

**Table 1. Hermetic Packaged Abrupt Junction Tuning Varactor Devices**

			
Hermetic Stripline 240	Hermetic Pill 203	Stripline 219	Coaxial 210
SMV1405-240	SMV1405-203	SMV1405-219	SMV1405-210
SMV1408-240	SMV1408-203	SMV1408-219	SMV1408-210
SMV1413-240	SMV1413-203	SMV1413-219	SMV1413-210
LS = 0.55 nH	LS = 0.40 nH	LS = 0.50 nH	LS = 0.45 nH

### Electrical and Mechanical Specifications

The absolute maximum ratings of the SMV1405 to SMV1413 varactors are provided in Table 2. Electrical specifications are provided in Table 3. Typical capacitance values are listed in Table 4. Typical performance characteristics of the SMV1405 to SMV1413 varactors are illustrated in Figures 1 and 2.

The SPICE model for the SMV1405 to SMV1413 varactors is shown in Figure 3 and the associated model parameters are provided in Table 5.

Package dimensions are shown in Figures 4 to 7. The SMV1405 to SMV1413 series of varactors are not delivered on carrier tapes.

**Table 2. SMV1405 to SMV1413 Series Absolute Maximum Ratings<sup>1</sup>**

Parameter	Symbol	Minimum	Typical	Maximum	Units
Reverse voltage	V <sub>R</sub>			30	V
Forward current	I <sub>F</sub>			20	mA
Power dissipation	P <sub>D</sub>			250	mW
Operating temperature	T <sub>OP</sub>	-55		+125	°C
Storage temperature	T <sub>STG</sub>	-55		+150	°C
Electrostatic discharge: Human Body Model (HBM), Class 0	ESD			< 250	V

<sup>1</sup> Exposure to maximum rating conditions for extended periods may reduce device reliability. There is no damage to device with only one parameter set at the limit and all other parameters set at or below their nominal value. Exceeding any of the limits listed here may result in permanent damage to the device.

**ESD HANDLING:** Although this device is designed to be as robust as possible, electrostatic discharge (ESD) can damage this device. This device must be protected at all times from ESD when handling or transporting. Static charges may easily produce potentials of several kilovolts on the human body or equipment, which can discharge without detection. Industry-standard ESD handling precautions should be used at all times.

**Table 3. SMV1405 to SMV1413 Series Electrical Specifications<sup>1</sup>**  
(T<sub>OP</sub> = 25 °C, Unless Otherwise Noted)

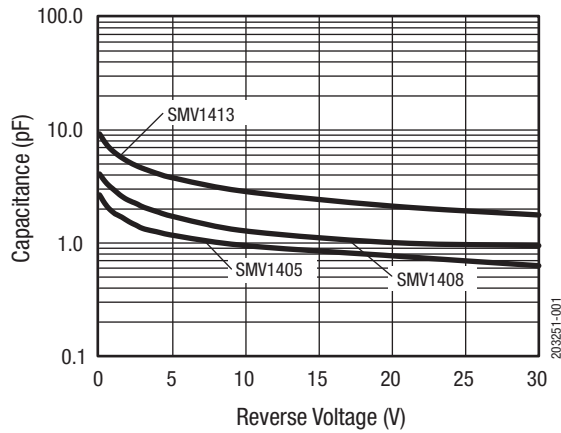
Part Number	Voltage Breakdown @ 10 mA (V)	Total Capacitance (C <sub>T</sub> ) @ 4 V (pF)		Capacitance Ratio C <sub>T0</sub> /C <sub>T30</sub>	Series Resistance (R <sub>S</sub> ) @ 4 V, f = 500 MHz (Ω)	Q @ 4 V (50 MHz)
	Minimum	Minimum	Maximum	Minimum	Maximum	Typical
SMV1405-203	30	1.20	1.48	3.80	0.8	3200
SMV1405-210	30	1.28	1.54	3.60	0.8	3200
SMV1405-219	30	1.20	1.48	3.80	0.8	3200
SMV1405-240	30	1.20	1.48	3.80	0.8	3200
SMV1408-203	30	1.73	2.11	4.10	0.6	2900
SMV1408-210	30	1.82	2.23	4.00	0.6	2900
SMV1408-219	30	1.73	2.11	4.10	0.6	2900
SMV1408-240	30	1.73	2.11	4.10	0.6	2900
SMV1413-203	30	3.77	4.60	4.00	0.35	2400
SMV1413-210	30	3.60	4.44	4.00	0.35	2400
SMV1413-219	30	3.77	4.60	4.00	0.35	2400
SMV1413-240	30	3.65	4.45	4.00	0.35	2400

<sup>1</sup> Performance is guaranteed only under the conditions listed in this table.

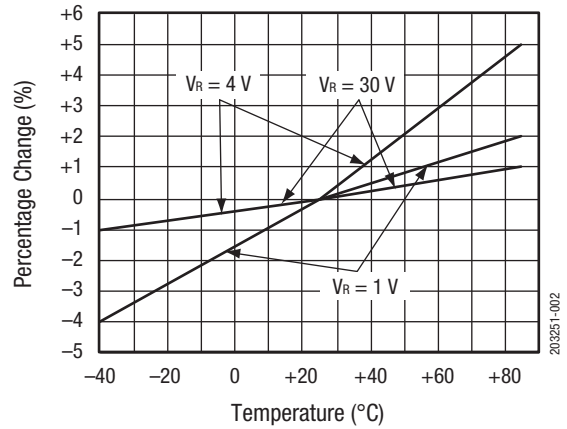
**Table 4. Capacitance vs Reverse Voltage**

V <sub>R</sub> (V)	C <sub>T</sub> (pF)		
	SMV1405	SMV1408	SMV1413
0	2.67	4.08	9.24
0.5	2.12	3.36	7.39
1.0	1.84	2.94	6.37
1.5	1.70	2.60	5.71
2.0	1.55	2.38	5.22
2.5	1.44	2.24	4.85
3.0	1.34	2.08	4.55
4.0	1.25	1.88	4.10
5.0	1.17	1.72	3.77
10.0	0.95	1.28	2.85
20.0	0.77	1.01	2.12
30.0	0.63	0.95	1.77

**Typical Performance Characteristics**



**Figure 1. Capacitance vs Reverse Voltage**



**Figure 2. Relative Capacitance Change vs Temperature**

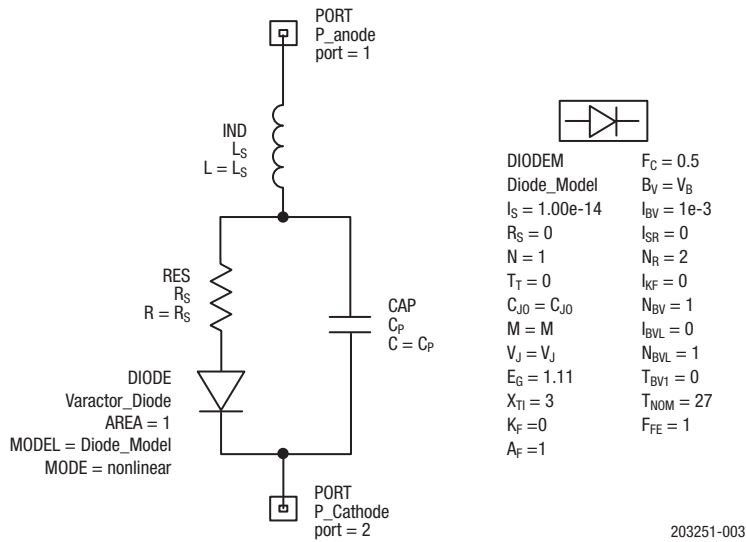


Figure 3. SPICE Model

Table 5. SPICE Model Parameters

Part Number	CJO (pF)	VJ (V)	M	CP (pF)	RS (Ω)
SMV1405	2.37	0.77	0.5	0.29	0.80
SMV1408	3.89	0.92	0.5	0.21	0.60
SMV1413	8.92	0.87	0.5	0.30	0.35

Values extracted from measured performance.

For package inductance,  $L_s$ , refer to Table 1.

For more details, refer to the Skyworks Application Note, *Varactor SPICE Model for Approved RF VCO Applications*, document number 200315.

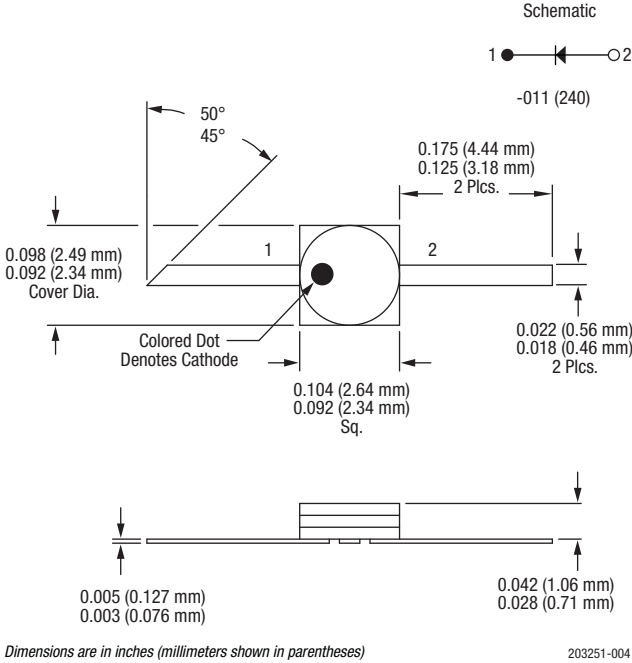


Figure 4. -240 Package Dimensions

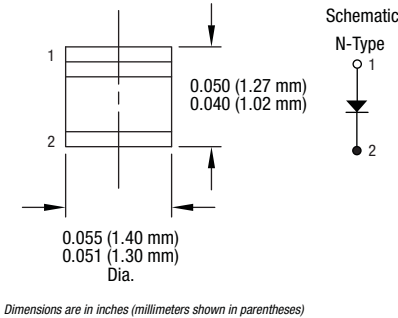
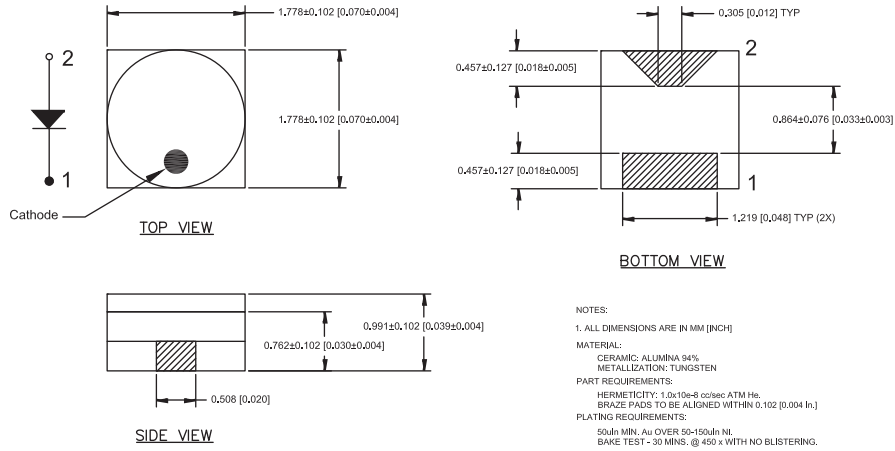


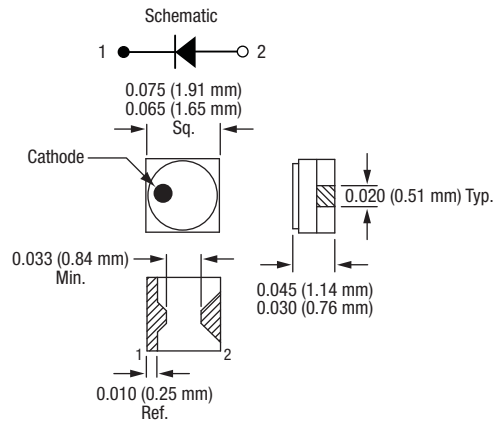
Figure 5. -203 Package Dimensions



**DATA SHEET • SMV1405-SMV1413: HERMETIC CERAMIC PACKAGED SILICON ABRUPT JUNCTION VARACTORS**



**Version A**



*Dimensions are in inches (millimeters shown in parentheses)*

**Version B**

203251-007

**Figure 7. -219 Package Dimensions**

Copyright © 2014, 2017 Isolink, Inc. All Rights Reserved.

Information in this document is provided in connection with Isolink, Inc. ("Isolink"), a wholly-owned subsidiary of Skyworks Solutions, Inc. These materials, including the information contained herein, are provided by Isolink as a service to its customers and may be used for informational purposes only by the customer. Isolink assumes no responsibility for errors or omissions in these materials or the information contained herein. Isolink may change its documentation, products, services, specifications or product descriptions at any time, without notice. Isolink makes no commitment to update the materials or information and shall have no responsibility whatsoever for conflicts, incompatibilities, or other difficulties arising from any future changes.

No license, whether express, implied, by estoppel or otherwise, is granted to any intellectual property rights by this document. Isolink assumes no liability for any materials, products or information provided hereunder, including the sale, distribution, reproduction or use of Isolink products, information or materials, except as may be provided in Isolink Terms and Conditions of Sale.

THE MATERIALS, PRODUCTS AND INFORMATION ARE PROVIDED "AS IS" WITHOUT WARRANTY OF ANY KIND, WHETHER EXPRESS, IMPLIED, STATUTORY, OR OTHERWISE, INCLUDING FITNESS FOR A PARTICULAR PURPOSE OR USE, MERCHANTABILITY, PERFORMANCE, QUALITY OR NON-INFRINGEMENT OF ANY INTELLECTUAL PROPERTY RIGHT; ALL SUCH WARRANTIES ARE HEREBY EXPRESSLY DISCLAIMED. ISOLINK DOES NOT WARRANT THE ACCURACY OR COMPLETENESS OF THE INFORMATION, TEXT, GRAPHICS OR OTHER ITEMS CONTAINED WITHIN THESE MATERIALS. ISOLINK SHALL NOT BE LIABLE FOR ANY DAMAGES, INCLUDING BUT NOT LIMITED TO ANY SPECIAL, INDIRECT, INCIDENTAL, STATUTORY, OR CONSEQUENTIAL DAMAGES, INCLUDING WITHOUT LIMITATION, LOST REVENUES OR LOST PROFITS THAT MAY RESULT FROM THE USE OF THE MATERIALS OR INFORMATION, WHETHER OR NOT THE RECIPIENT OF MATERIALS HAS BEEN ADVISED OF THE POSSIBILITY OF SUCH DAMAGE.

Customers are responsible for their products and applications using Isolink products, which may deviate from published specifications as a result of design defects, errors, or operation of products outside of published parameters or design specifications. Customers should include design and operating safeguards to minimize these and other risks. Isolink assumes no liability for applications assistance, customer product design, or damage to any equipment resulting from the use of Isolink products outside of stated published specifications or parameters.

Isolink is a trademark of Isolink Inc. in the United States and other countries. Skyworks and the Skyworks symbol are trademarks or registered trademarks of Skyworks Solutions, Inc., in the United States and other countries. Third-party brands and names are for identification purposes only, and are the property of their respective owners.